

# ZS-2750 BlastMax™

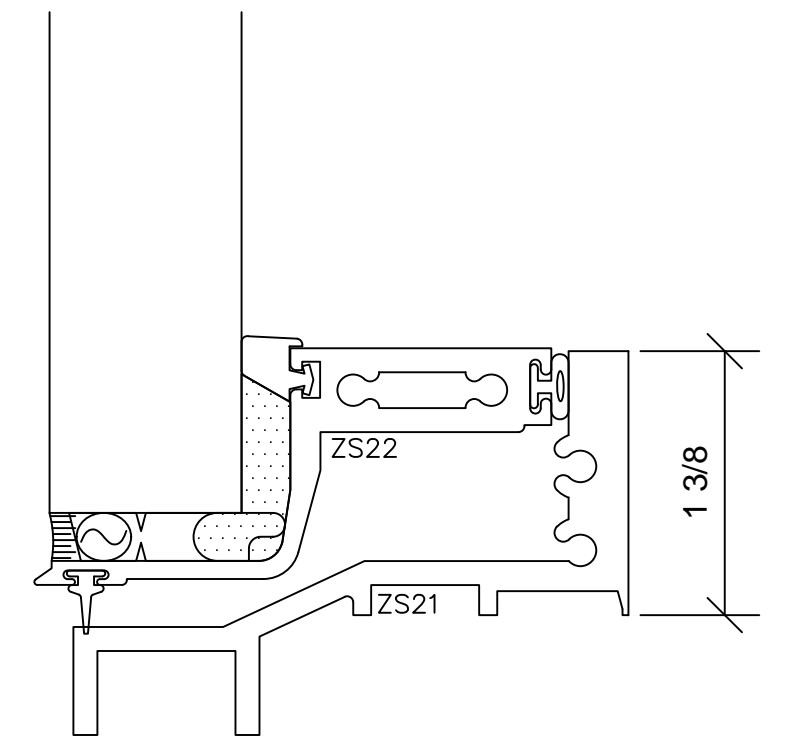
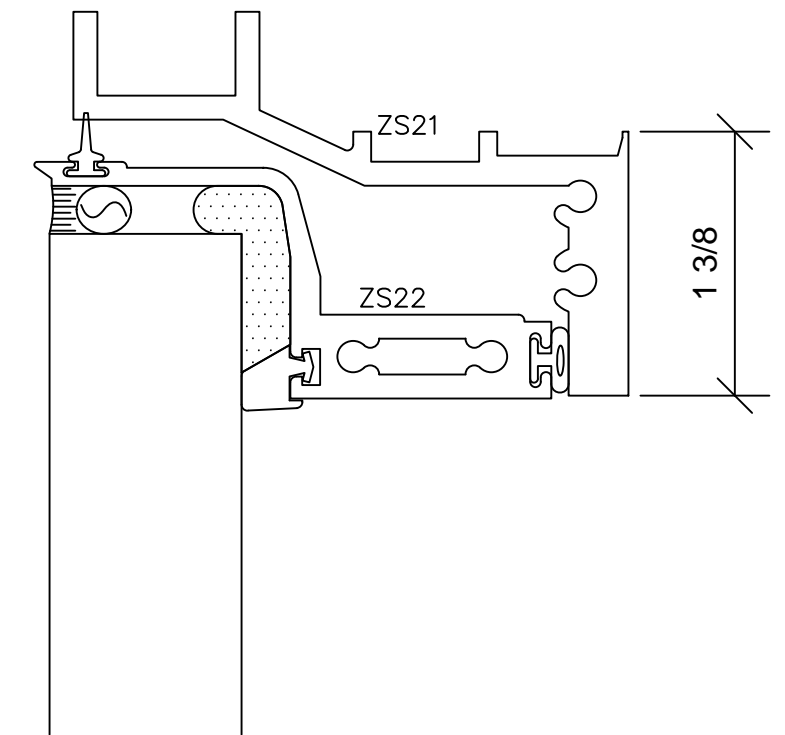
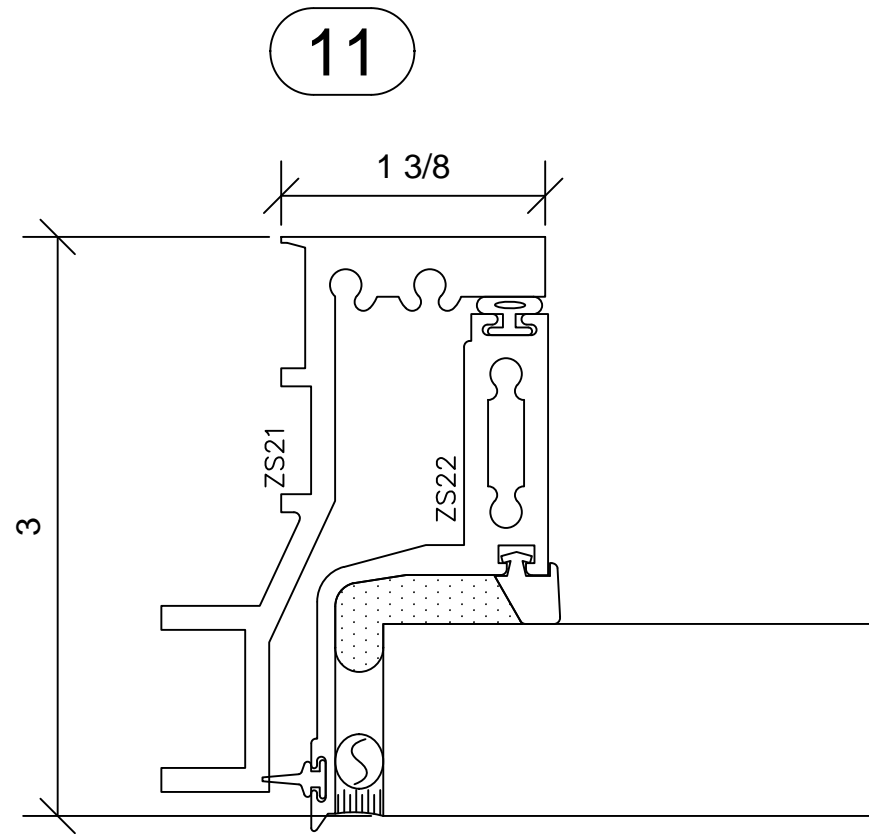
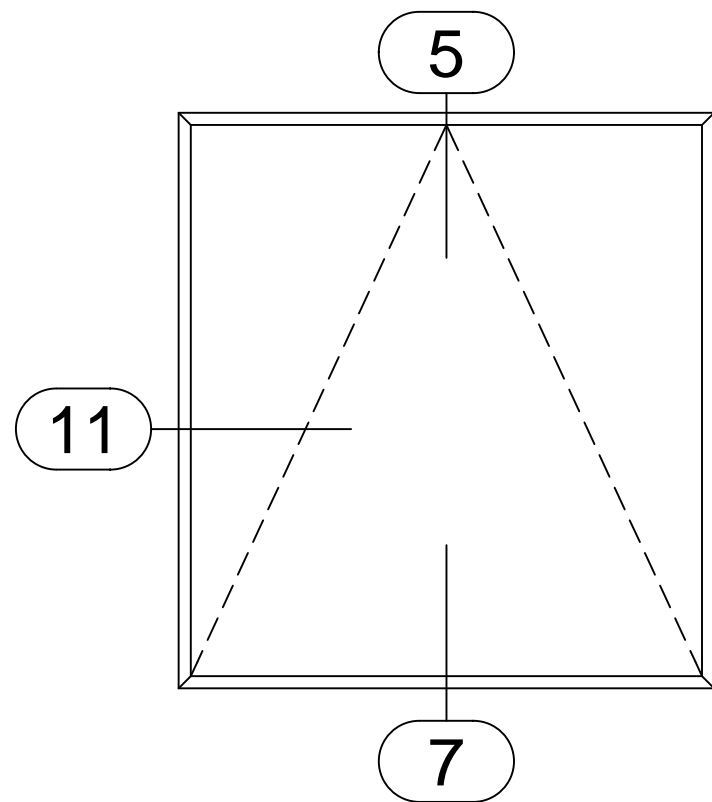
ATSM F 1642 - No Hazard

UFC 4-010-01 - Level of Protection -  
Medium

GSA Performance Condition - 2

Blast Load - 6psi - 41psi-msec

Pocket Glaze



OP001

-OUTWARD PROJECTED-