



## ***Standard Doors with Flush Glaze-and Multiplane Frames***

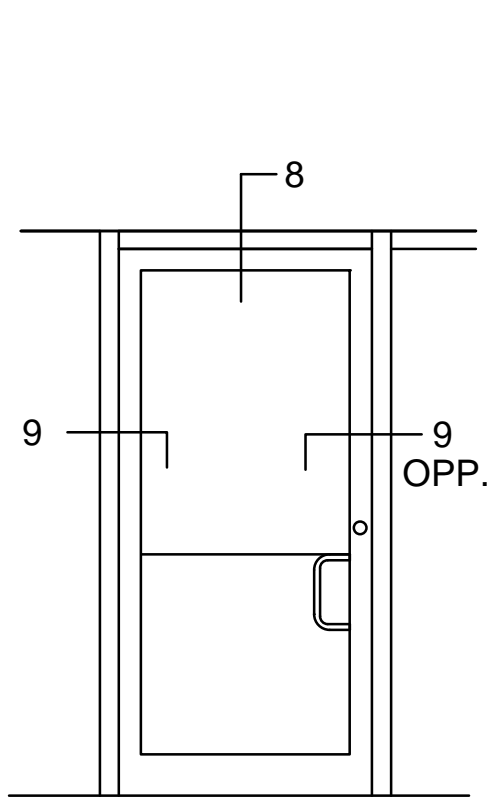
---

Fg-1000 - Flush Glaze -1 3/4" x 4"

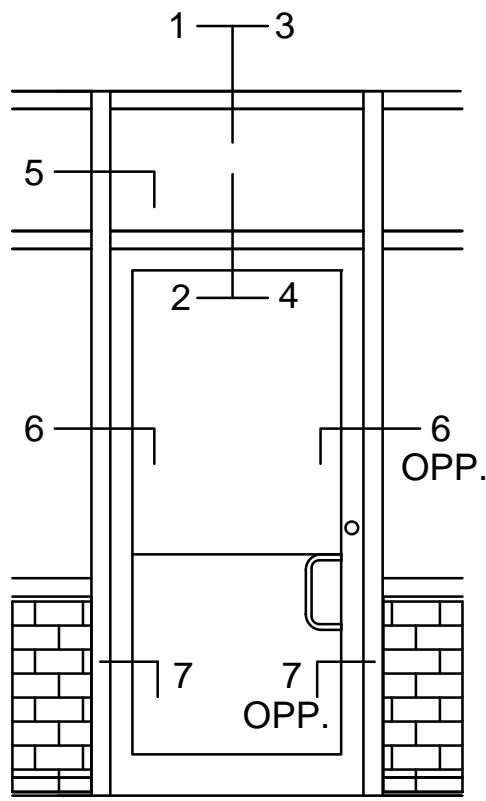
Fg-2000 - Flush Glaze -1 3/4" x 4 1/2"

Fg-3000 - Flush Glaze -2" x 4 1/2"

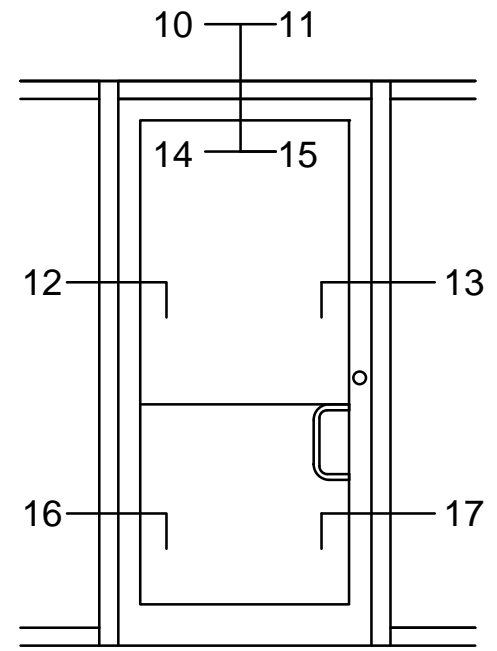
# FG-1000 - STANDARD DOOR & FRAME-1/4" GLASS IN FRAME



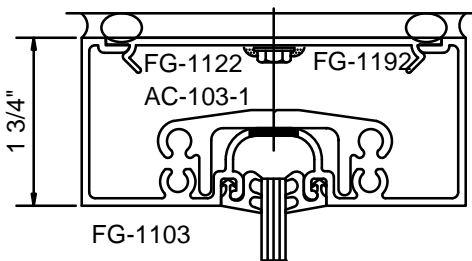
STANDARD



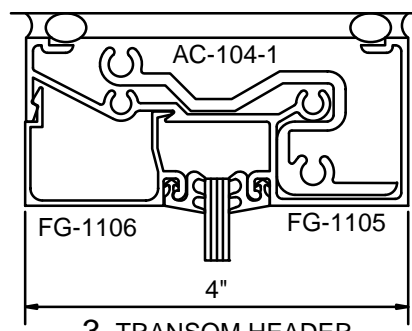
STANDARD



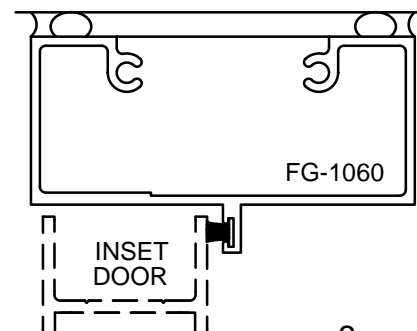
OPTIONS



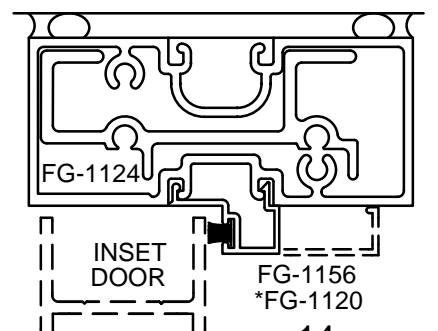
1 TRANSOM HEADER



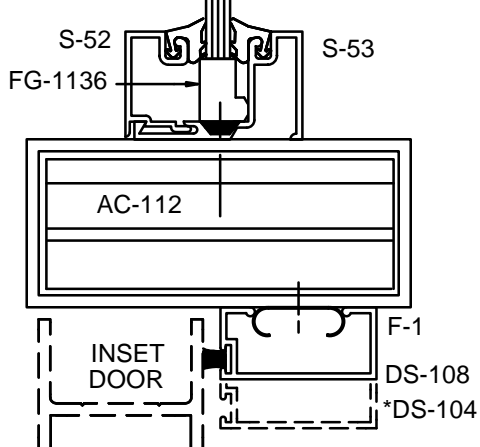
3 TRANSOM HEADER



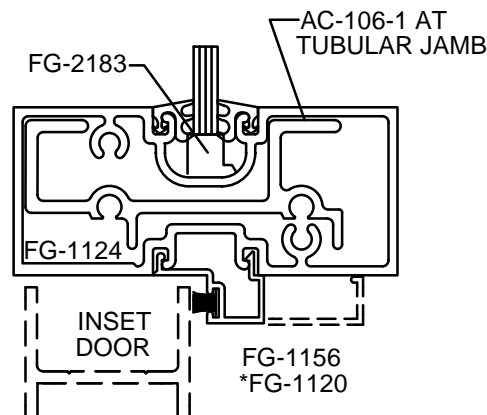
8 SURFACE CLOSER



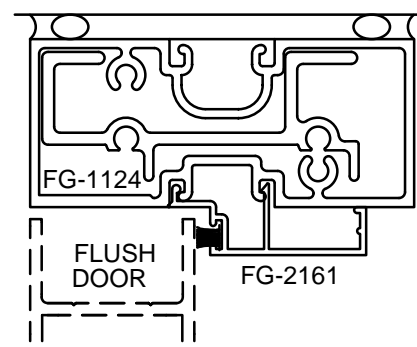
14 SURFACE CLOSER



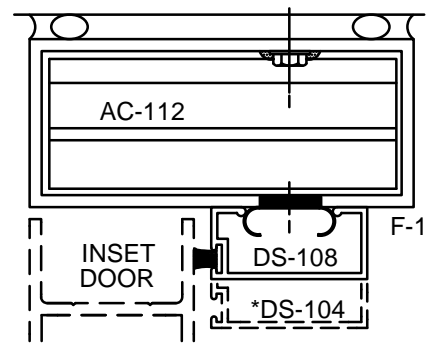
2 CONCEALED CLOSER



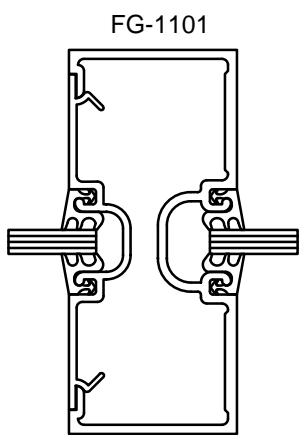
4 SURFACE CLOSER



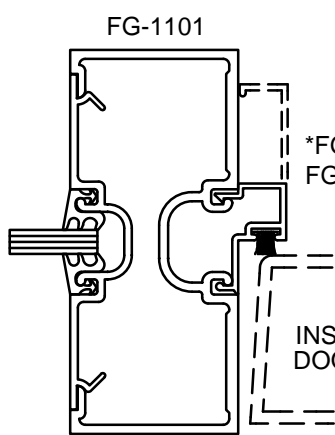
10 SURFACE CLOSER



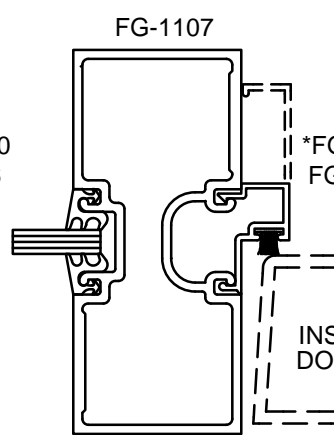
11 CONCEALED CLOSER



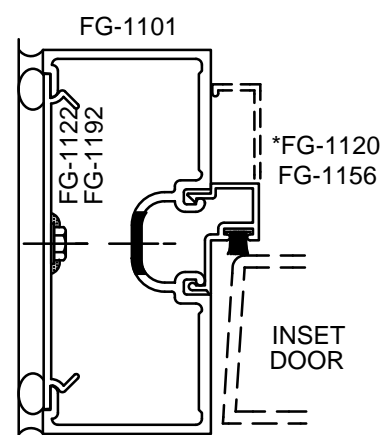
5



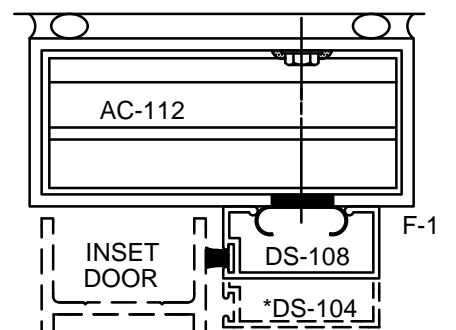
6



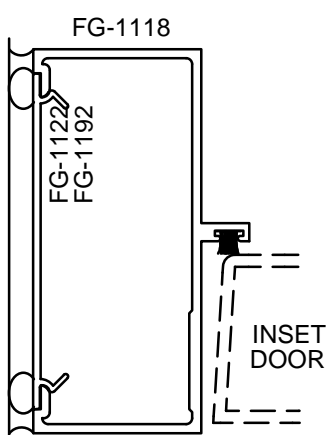
6 TUBULAR JAMB



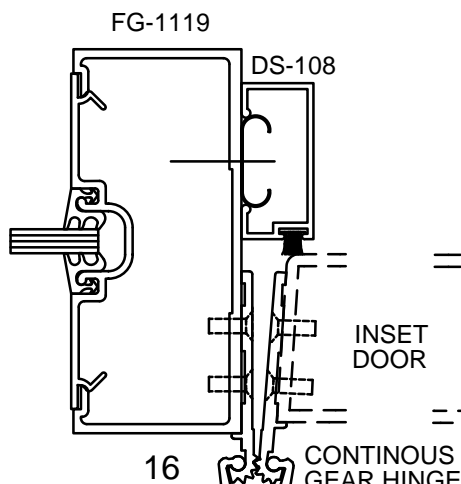
7



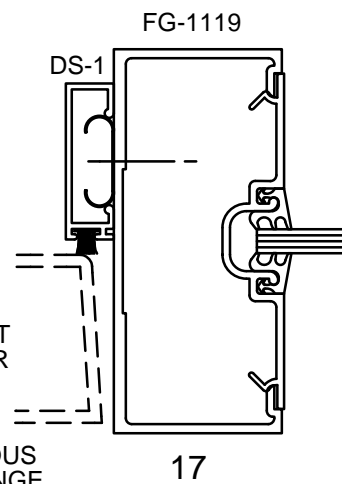
15 CONCEALED CLOSER



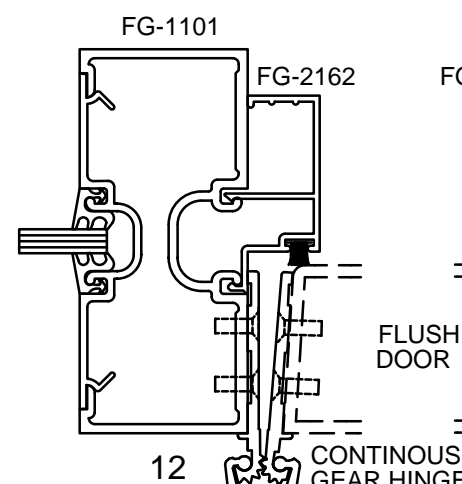
9



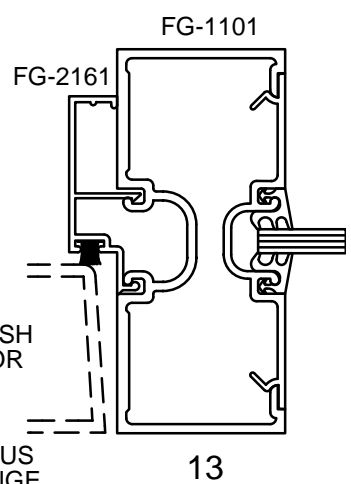
16



17



12

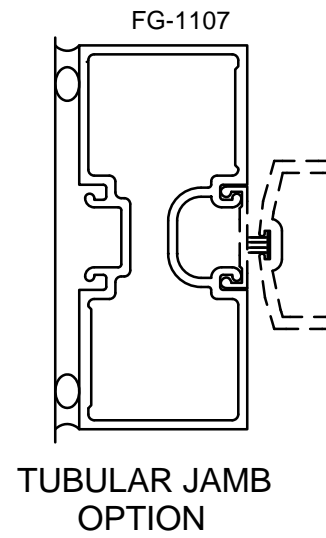
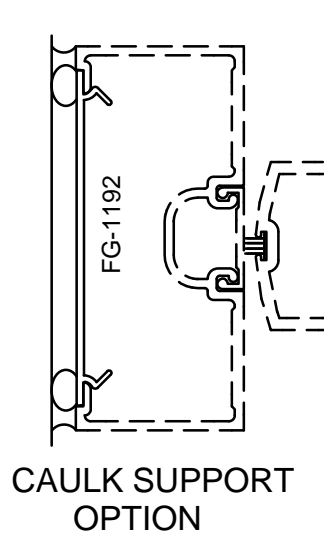
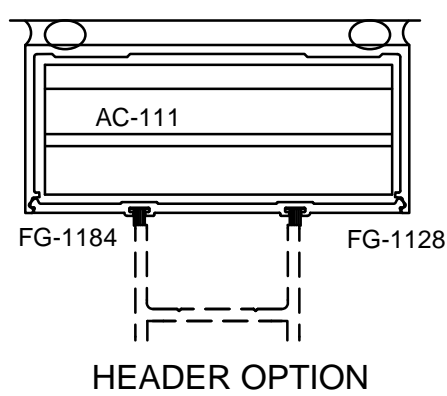
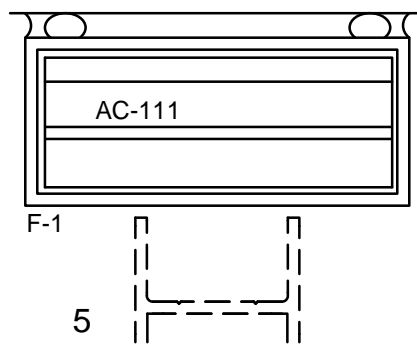
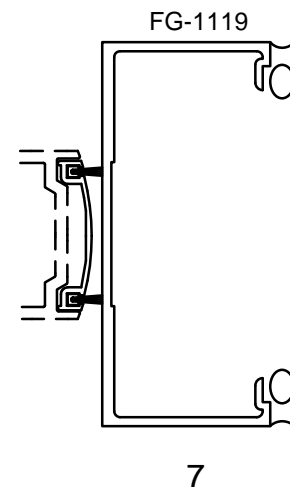
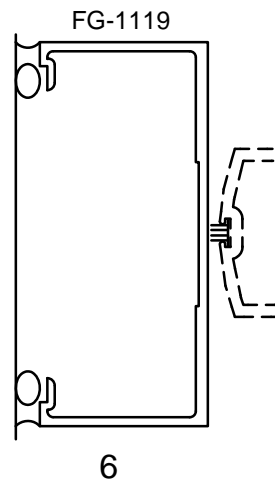
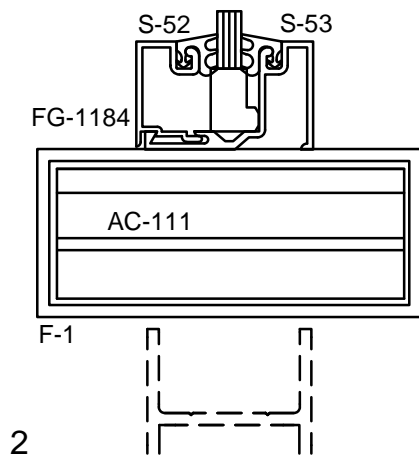
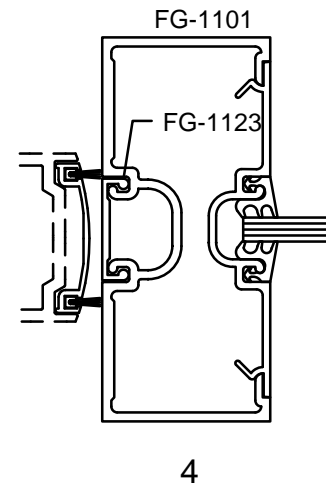
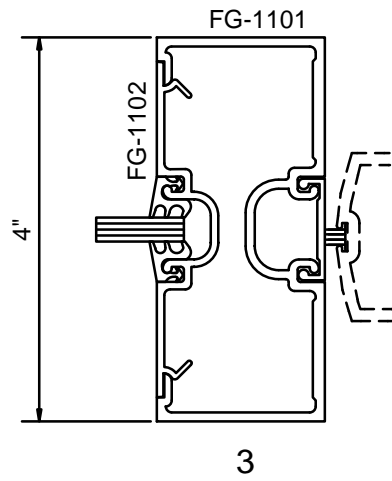
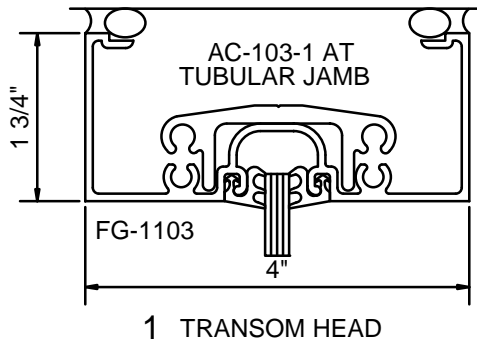
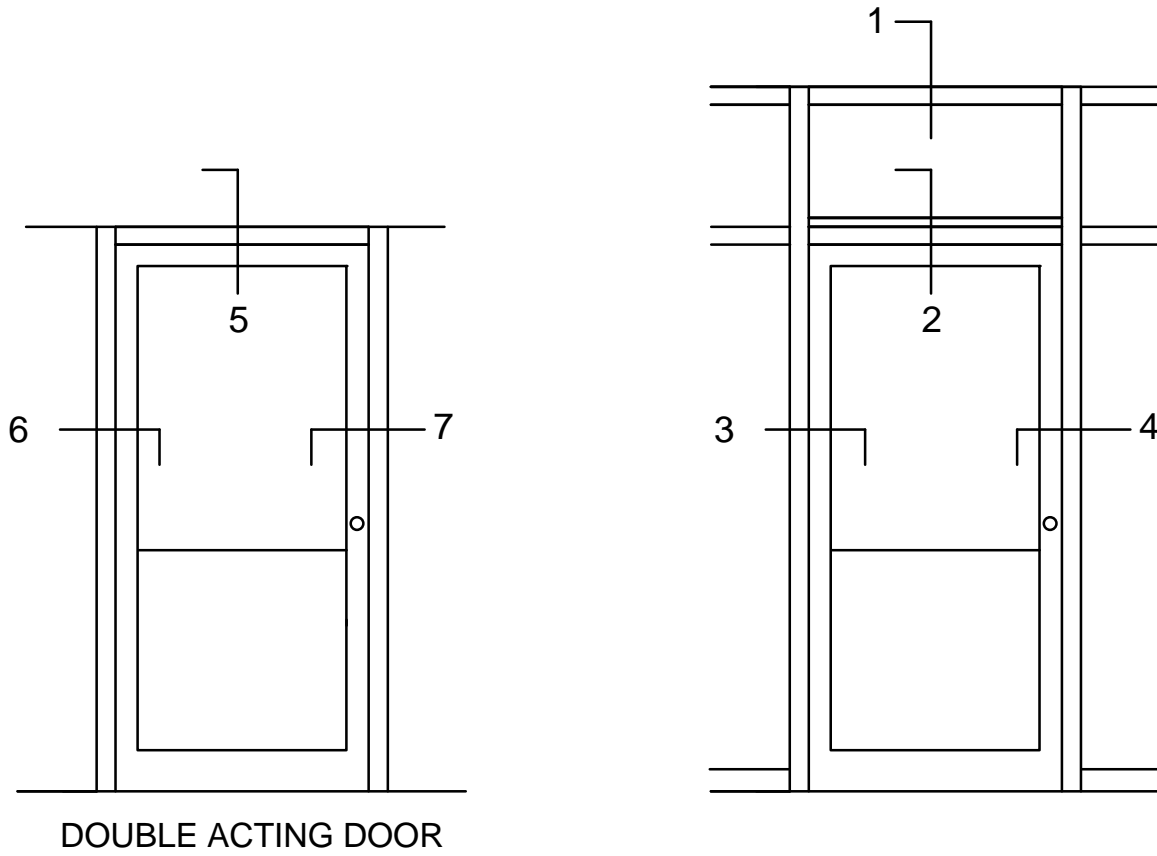


13

Note: Ref Installation Manual for additional info.

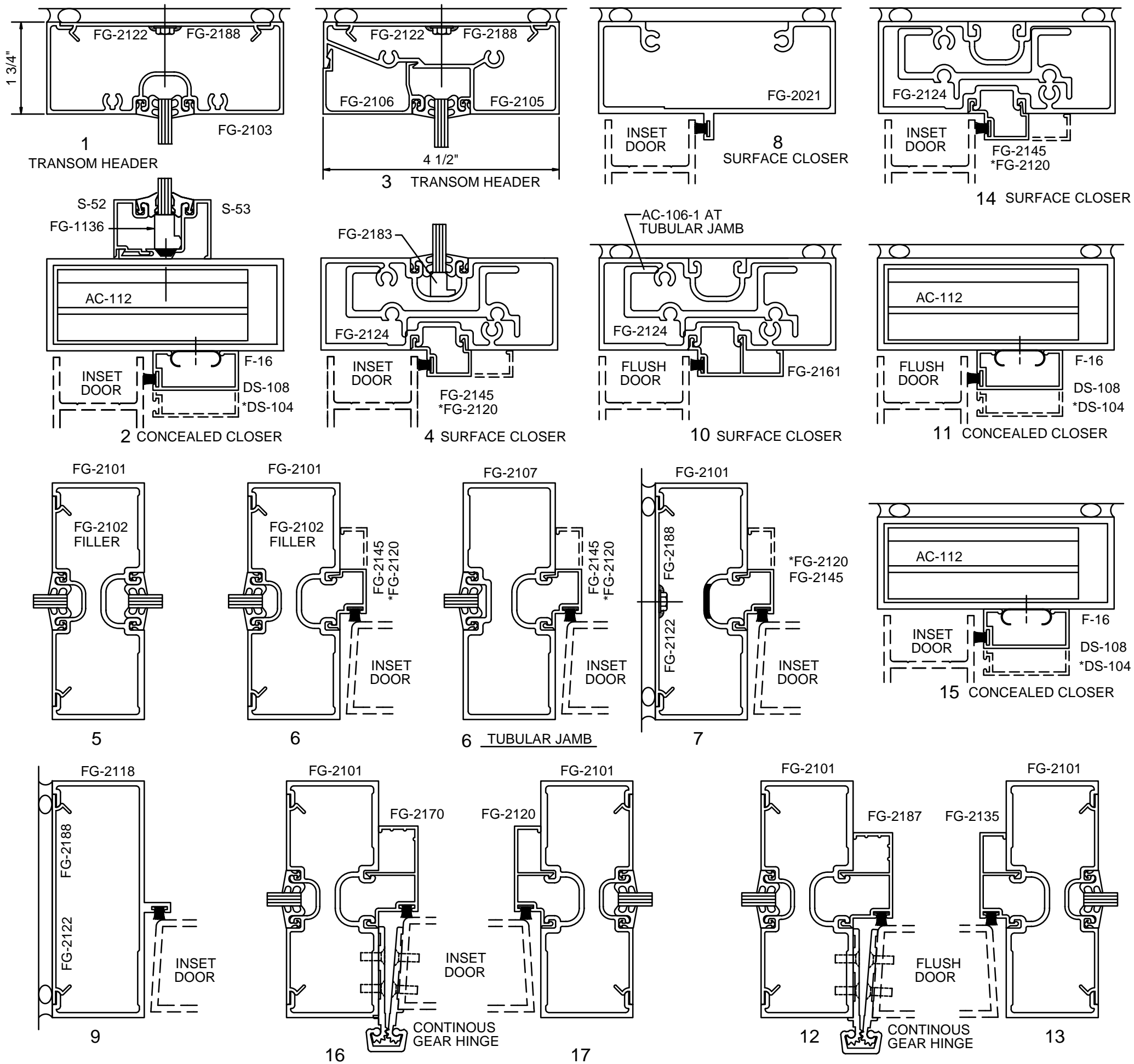
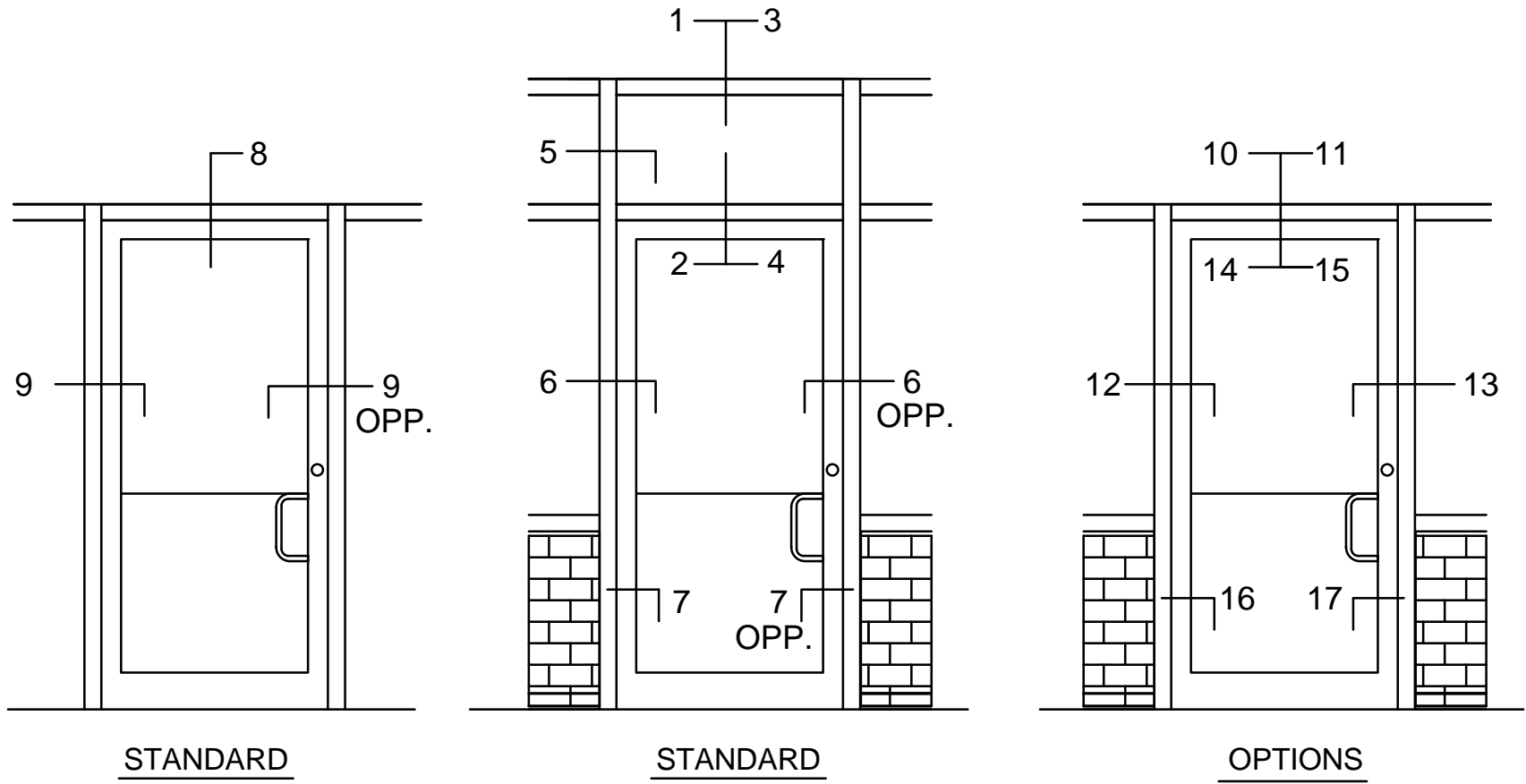
\* Alternate door stop as required.

# FG-1000 - STANDARD DOOR & FRAME-1/4" GLASS IN FRAME



Note: Ref Installation Manual for additional info.

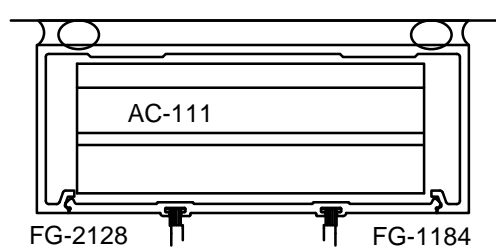
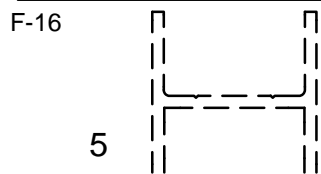
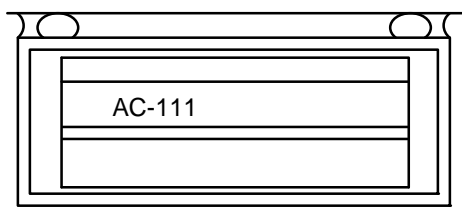
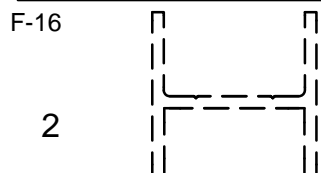
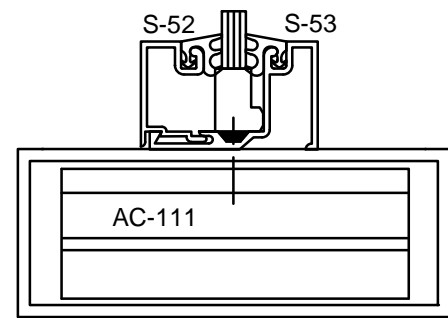
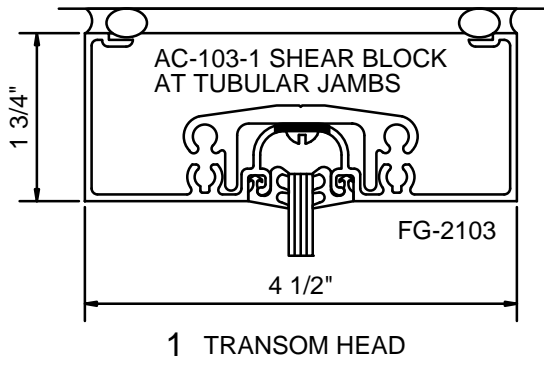
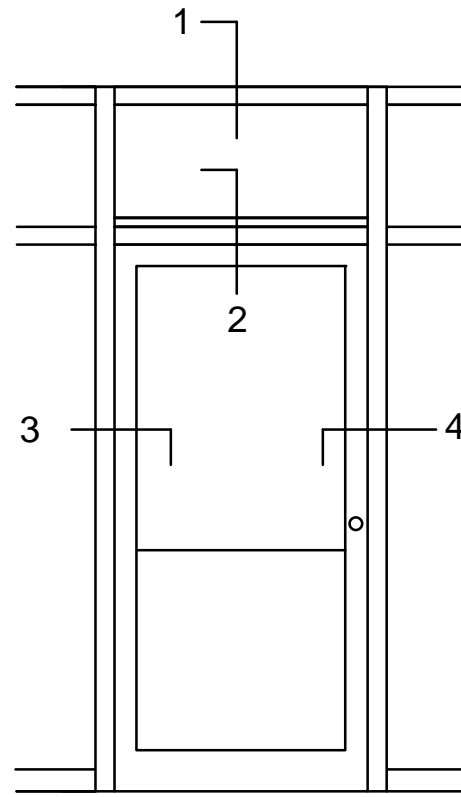
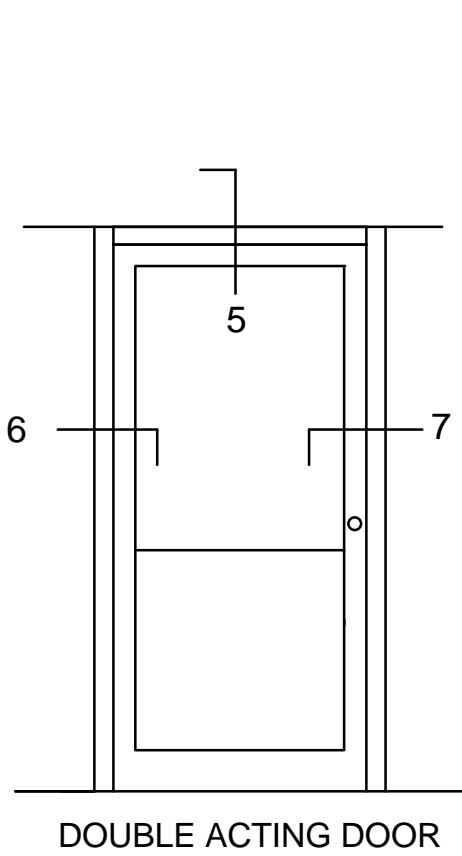
# FG-2000 - STANDARD DOOR & FRAME-1/4" GLASS IN FRAME



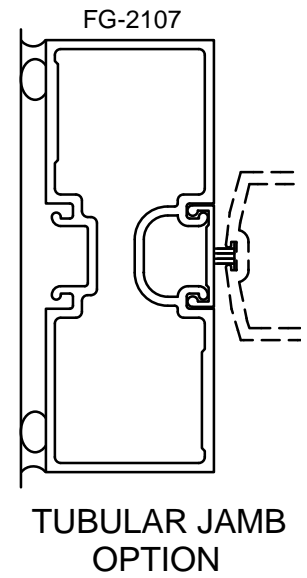
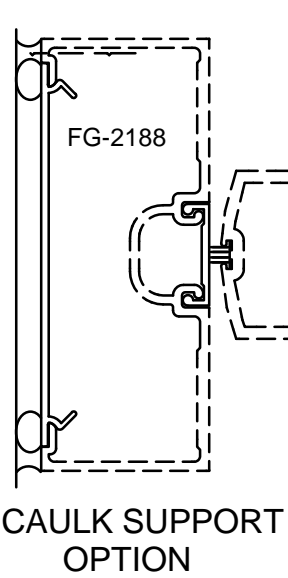
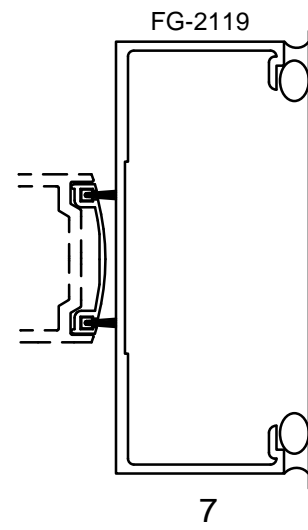
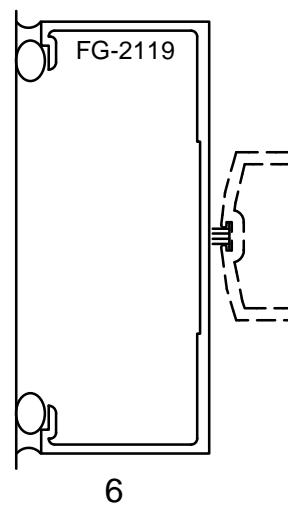
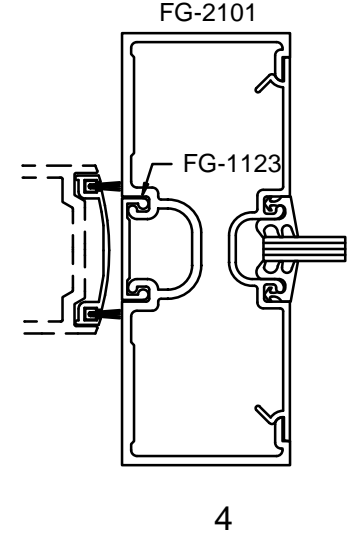
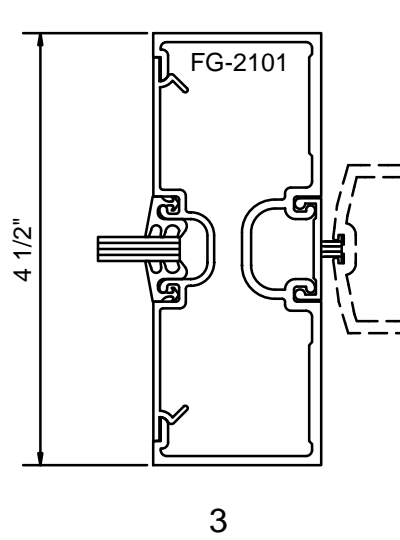
Note: Ref Installation Manual for additional info.

\* Alternate door stop as required.

# FG-2000 - STANDARD DOOR & FRAME-1/4" GLASS IN FRAME

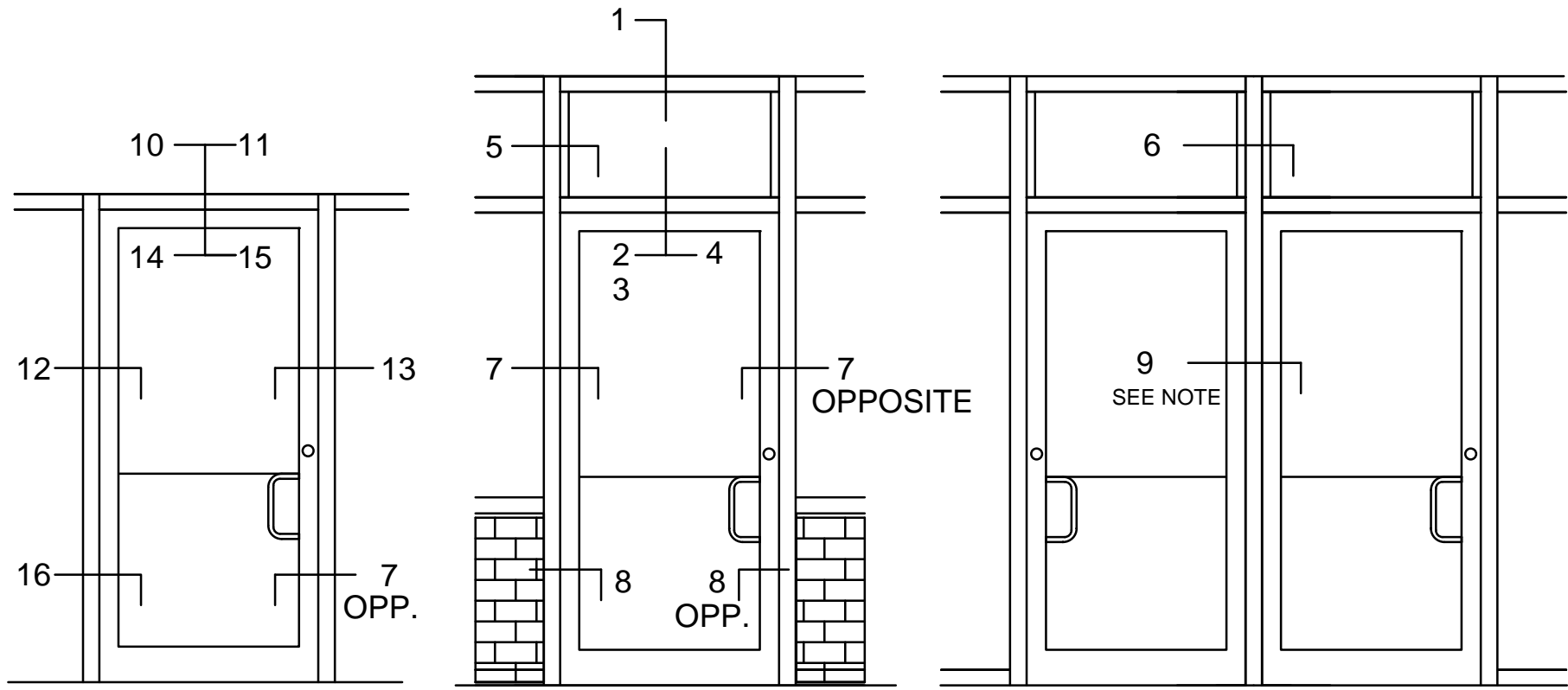


HEADER OPTION



Note: Ref Installation Manual for additional info.

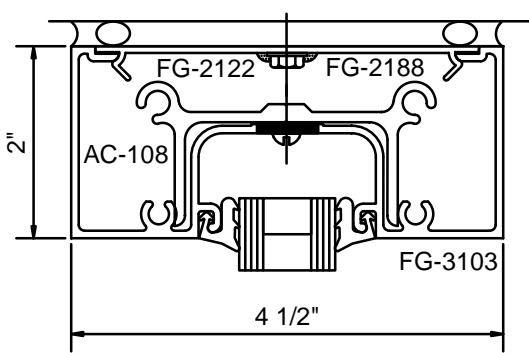
# FG-3000 - STANDARD DOOR & FRAME-1" GLASS IN FRAME



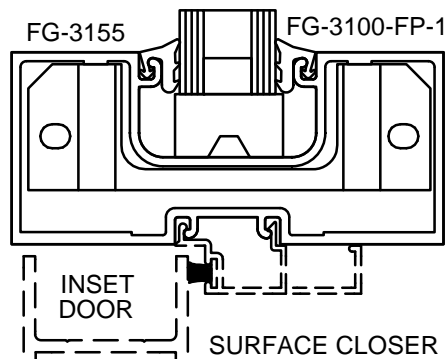
**OPTIONS**

**STANDARD DOOR**

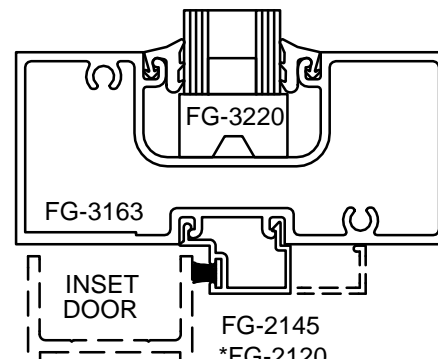
NOTE: DOORS CAN NOT OPEN MORE THAN 89° WHEN JAMB IS HINGED ON BOTH SIDES



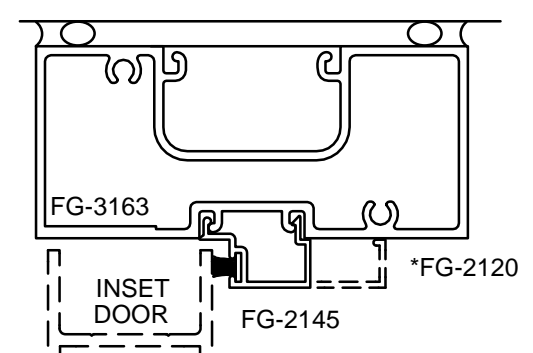
**1 TRANSOM HEAD**



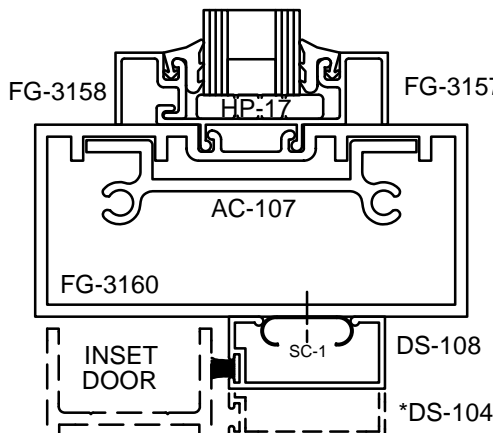
**3 HEAD AT TUBULAR JAMBS**



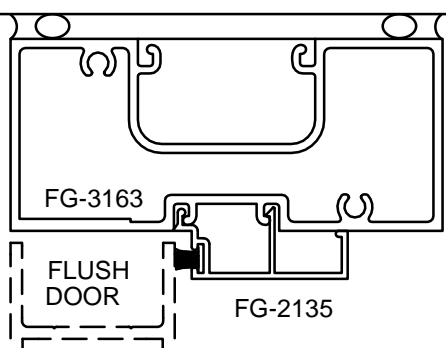
**4 SURFACE CLOSER**



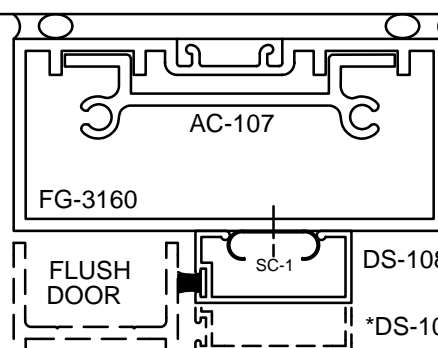
**14 SURFACE CLOSER**



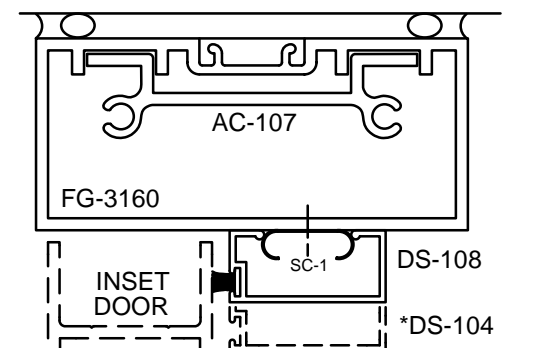
**2 CONCEALED CLOSER**



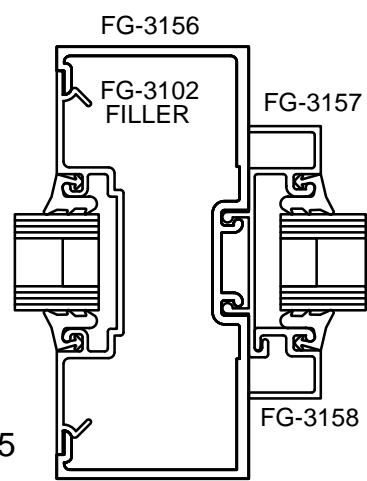
**10 SURFACE CLOSER**



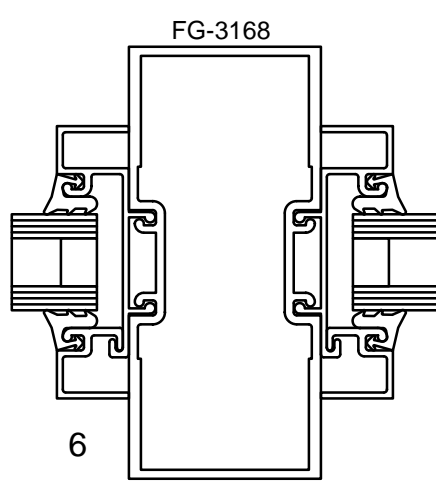
**11 CONCEALED CLOSER**



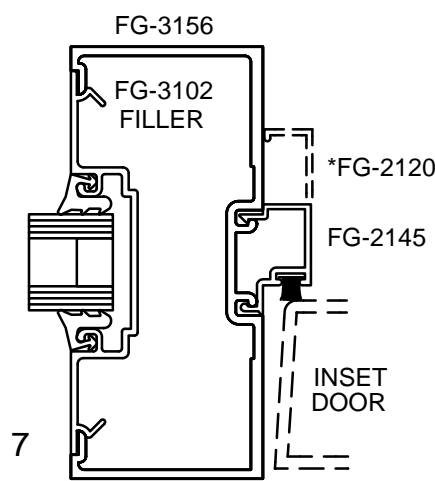
**15 CONCEALED CLOSER**



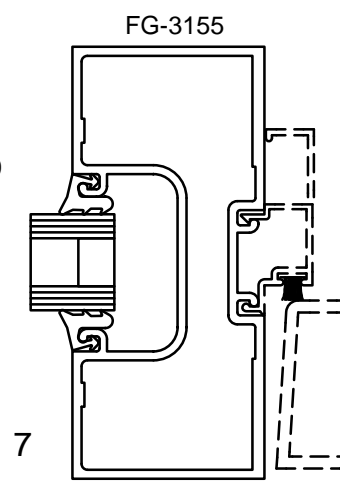
**5**



**6**

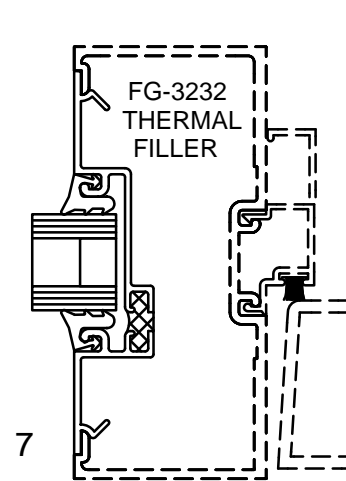


**7**



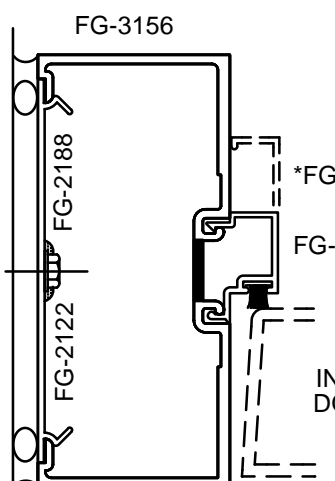
**7**

**TUBULAR JAMB**

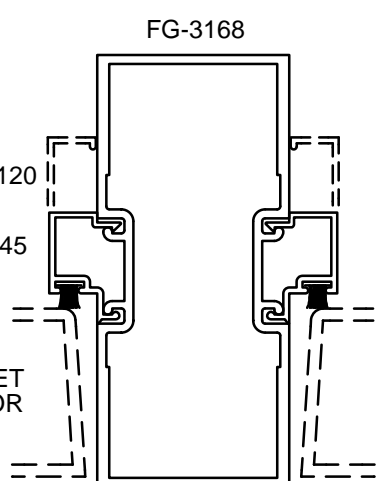


**7**

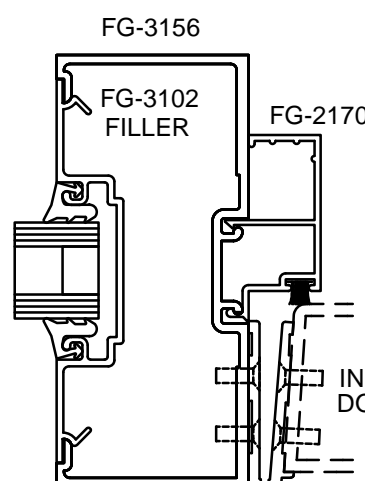
**OPTIONAL FILLER**



**8**

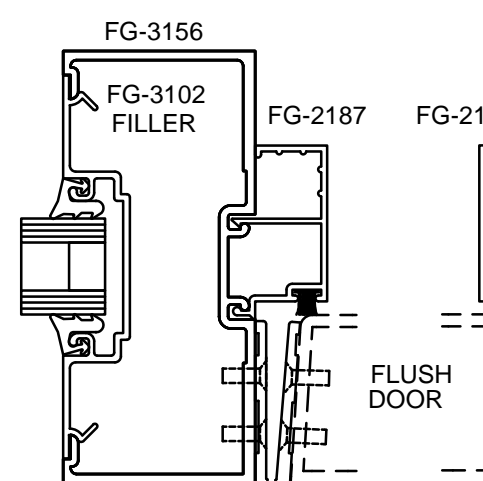


**9 SEE NOTE**



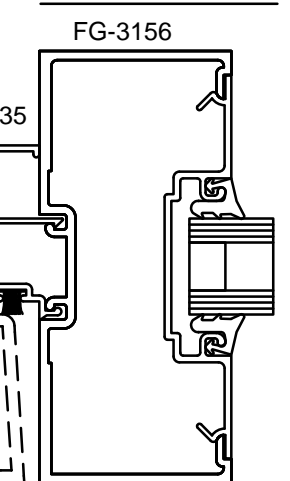
**16**

**CONTINUOUS GEAR HINGE**



**12**

**CONTINUOUS GEAR HINGE**



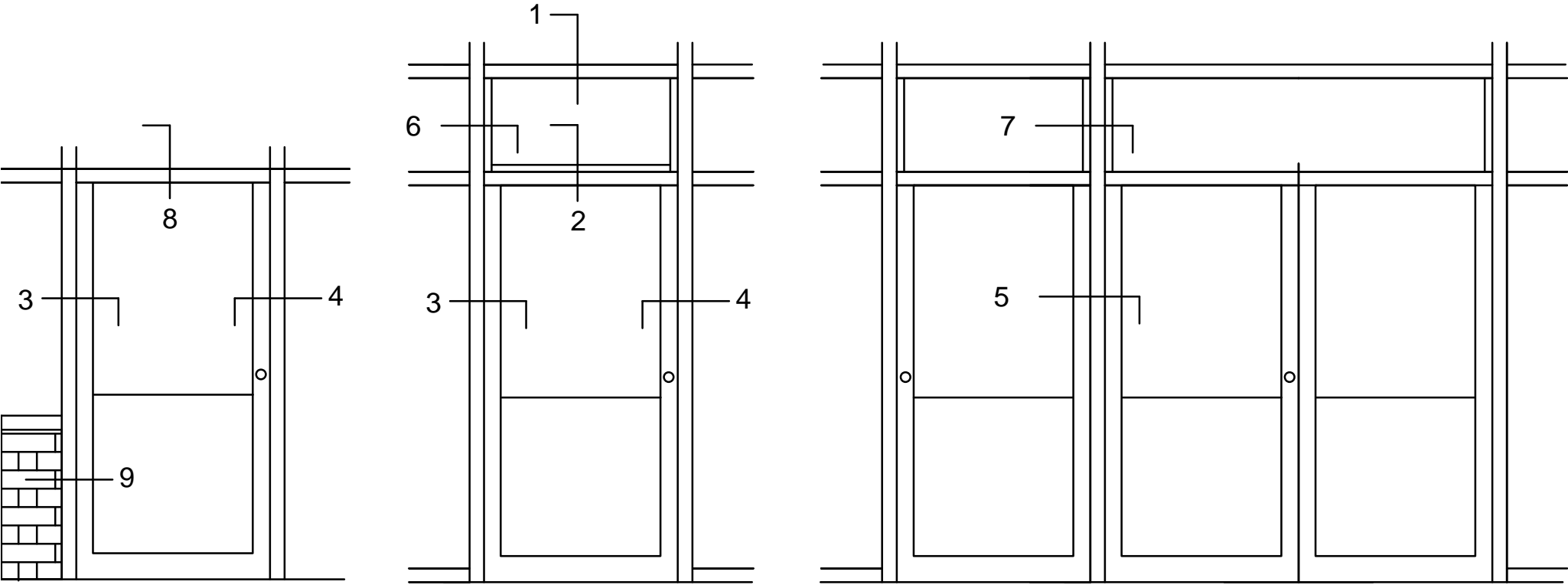
**13**

**FLUSH DOOR**

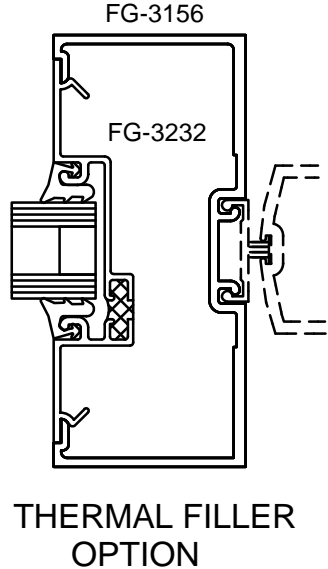
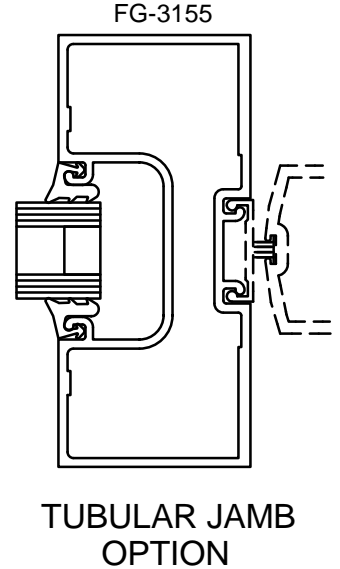
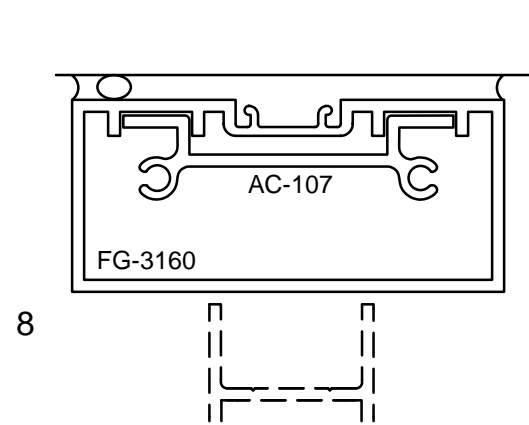
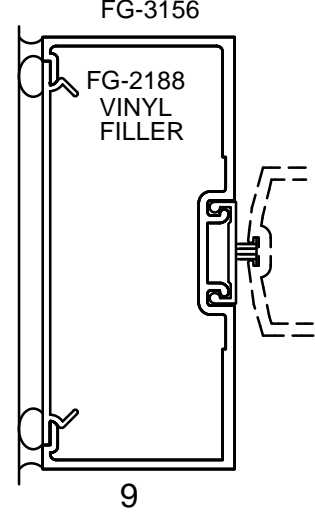
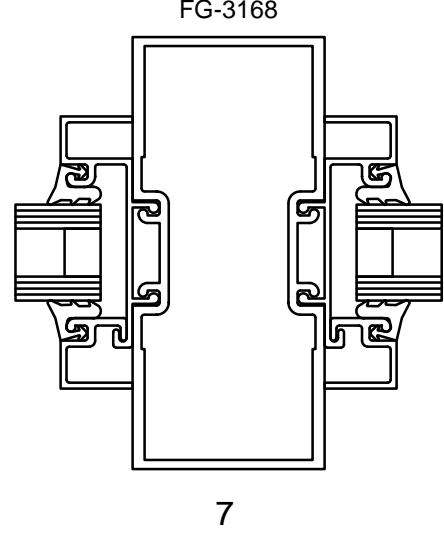
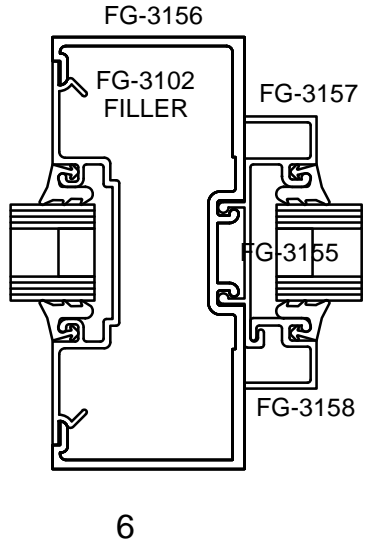
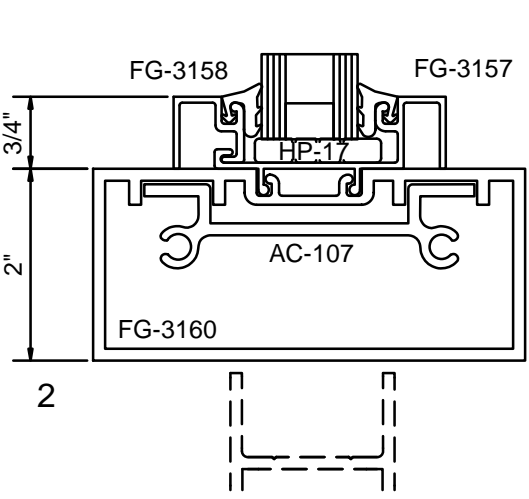
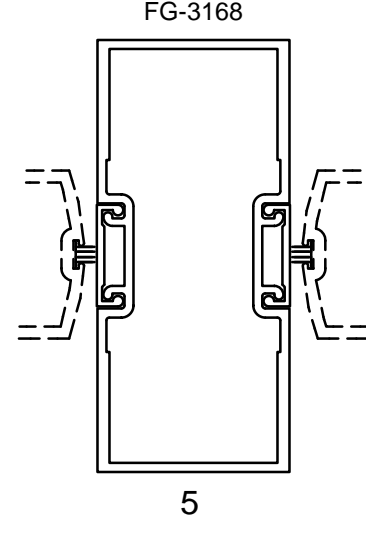
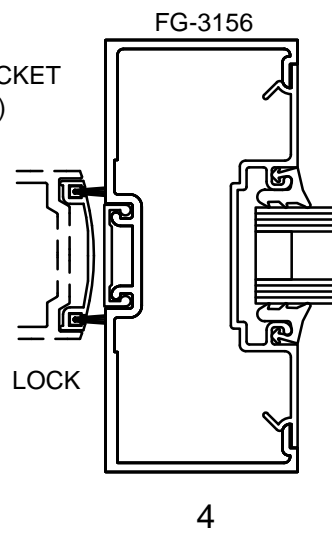
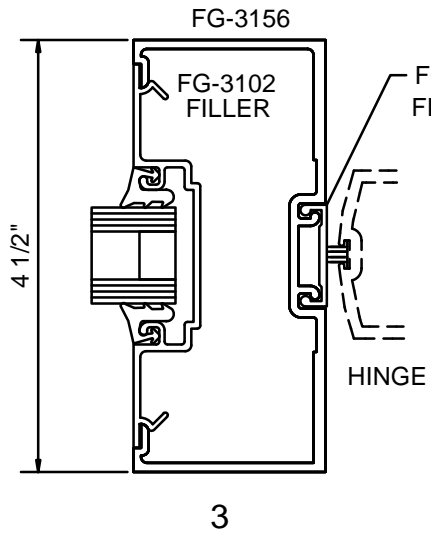
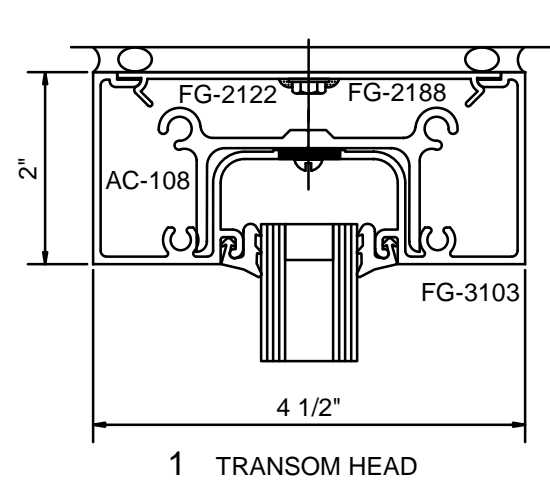
Note: Ref Installation Manual for additional info.

\* Alternate door stop as required.

FG-3000 - STANDARD DOOR & FRAME-1" GLASS IN FRAME

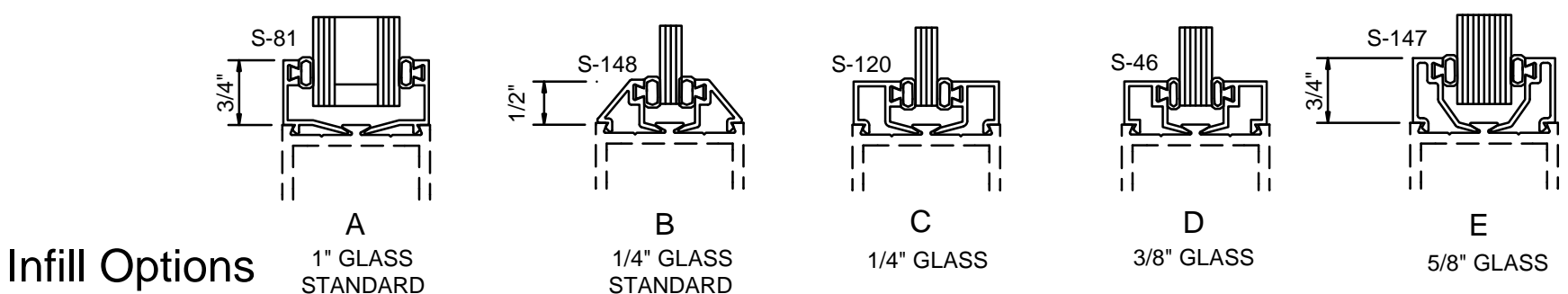
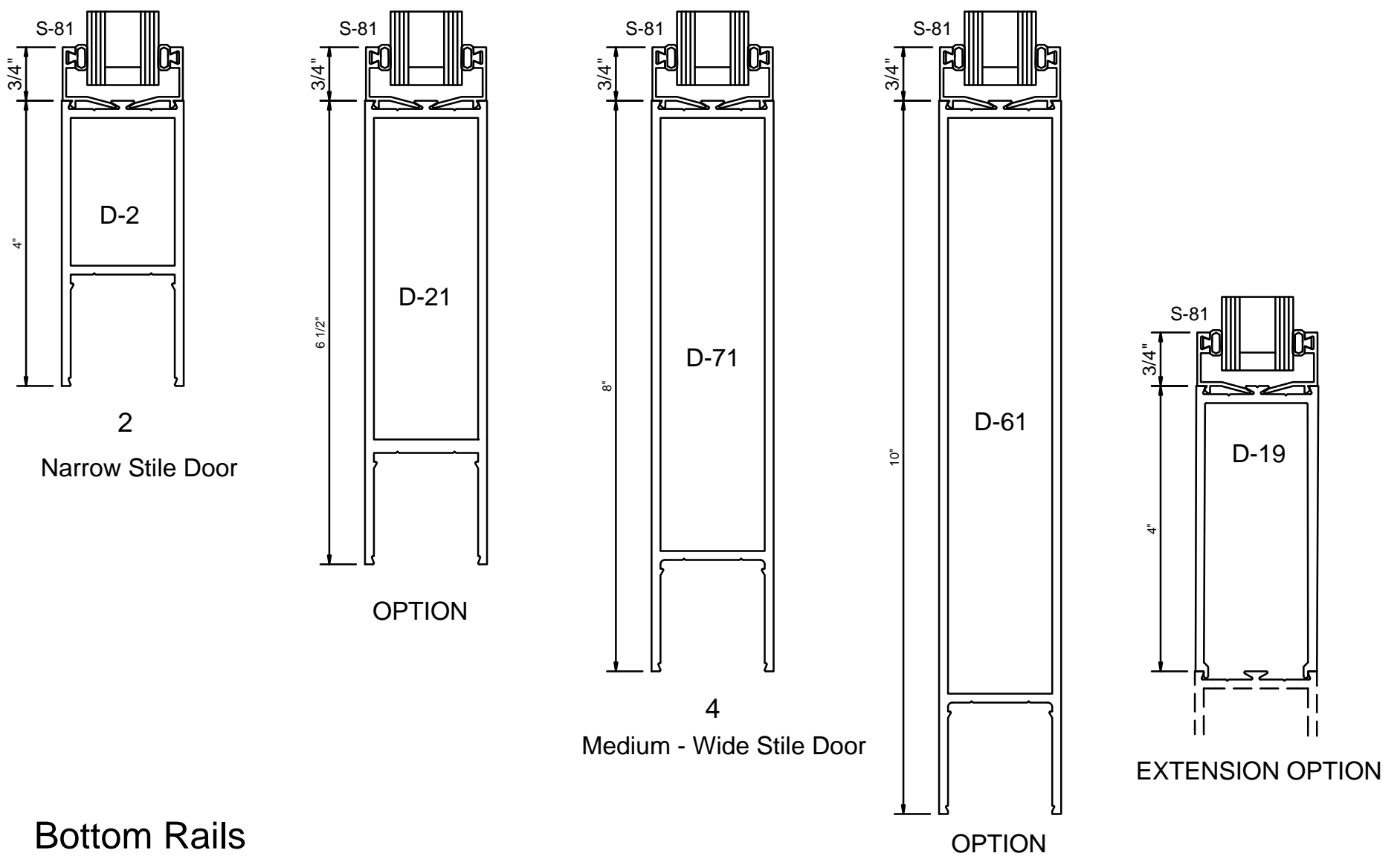
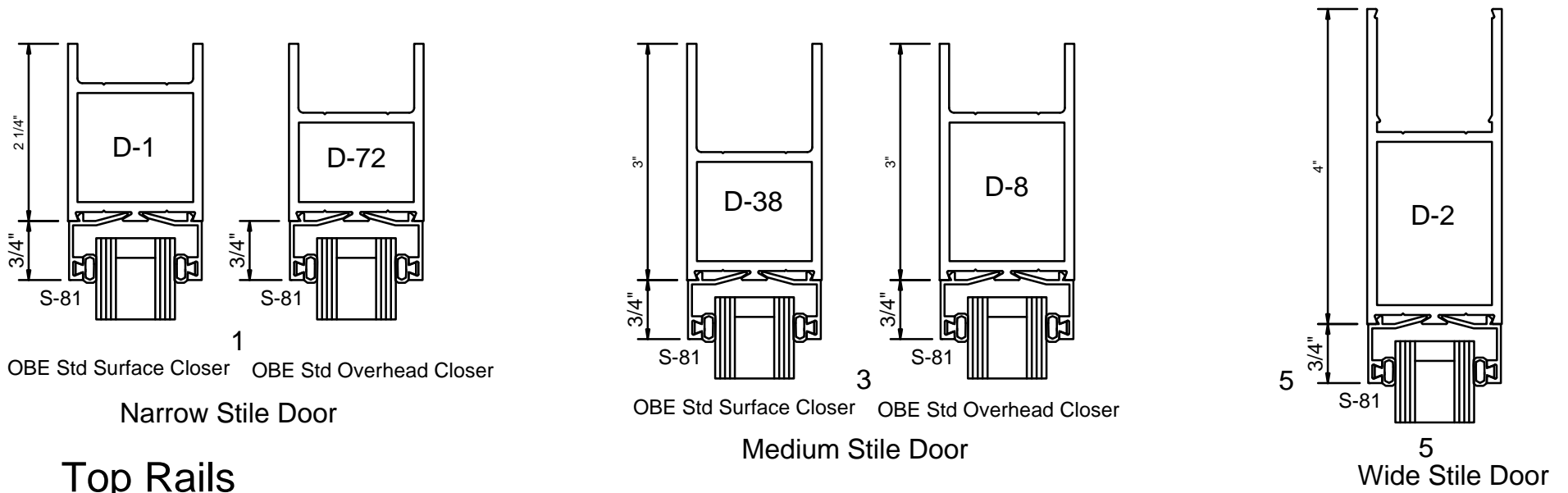
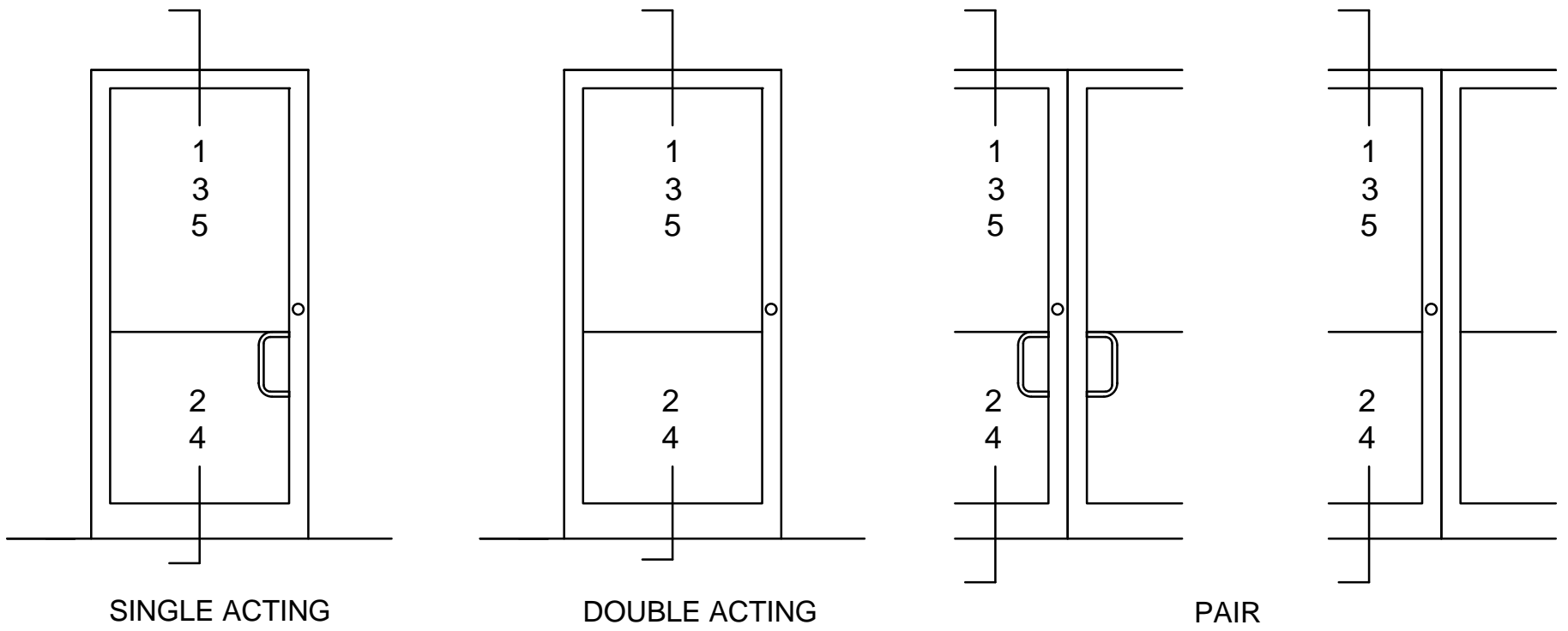


DOUBLE ACTING DOOR



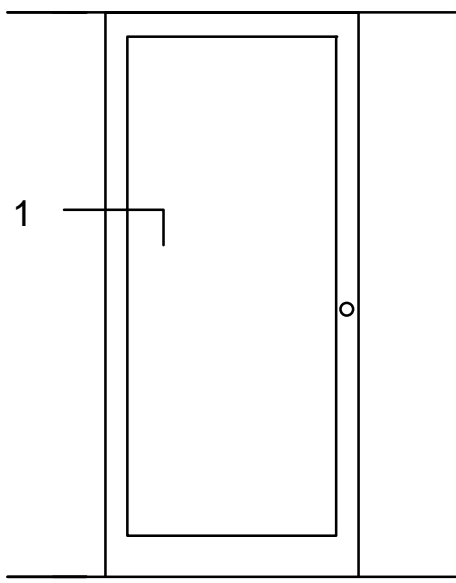
Note: Ref Installation Manual for additional info.

# STANDARD ENTRANCES - RAILS

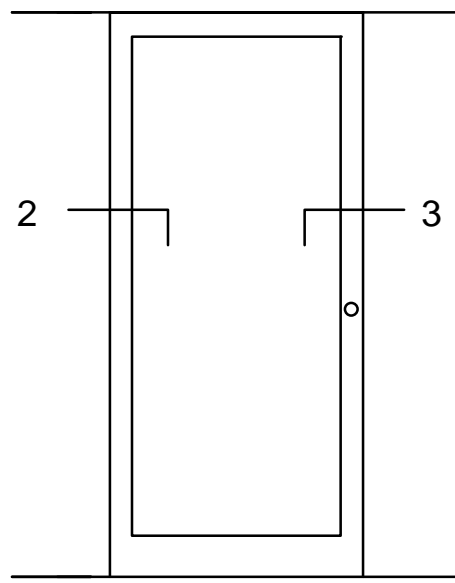




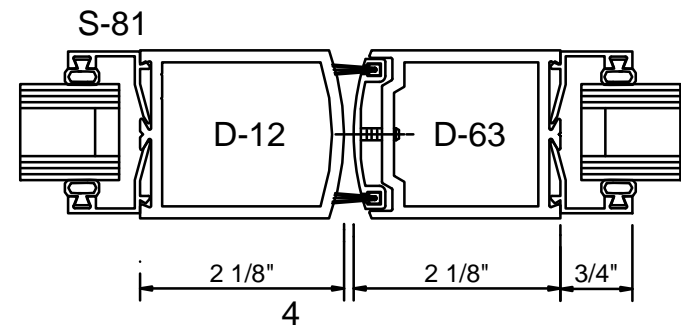
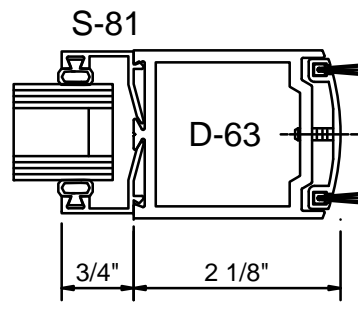
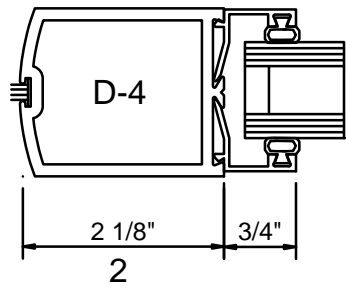
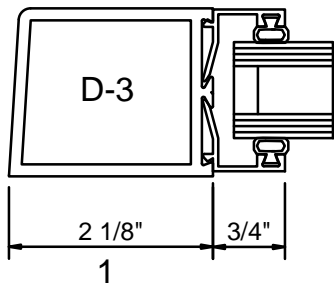
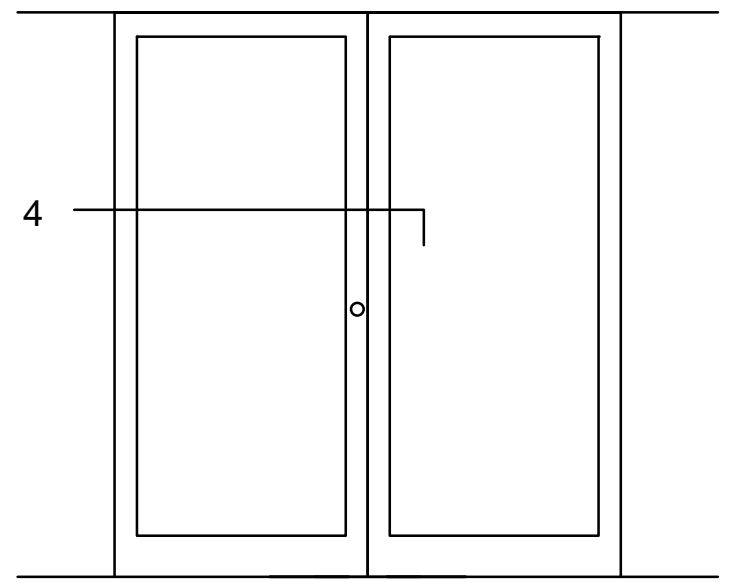
# STANDARD DOOR STILES AND RAILS



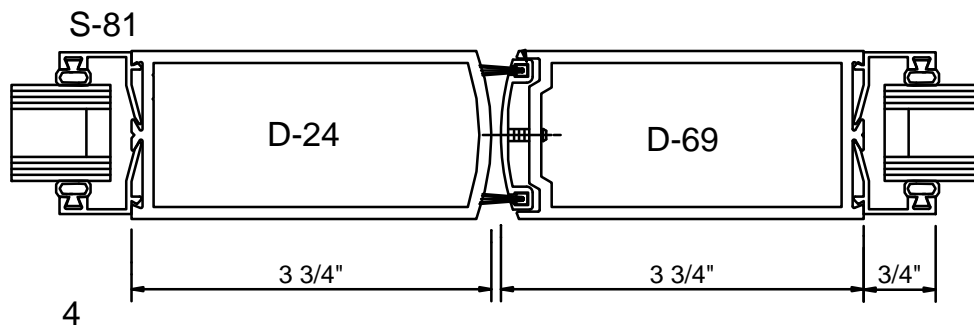
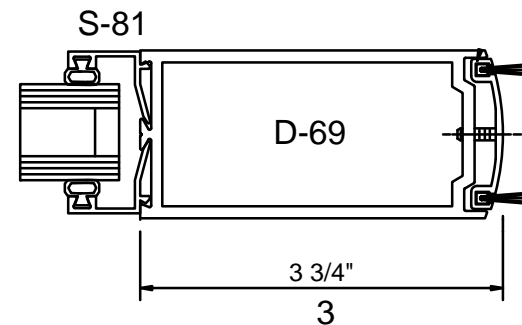
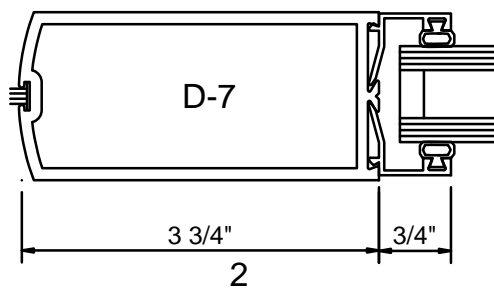
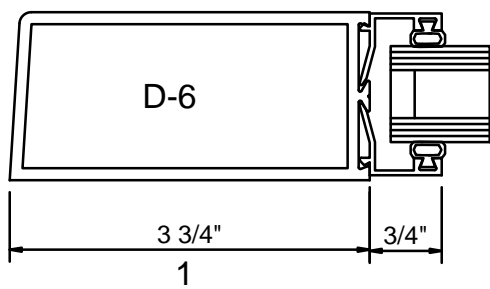
SINGLE ACTING



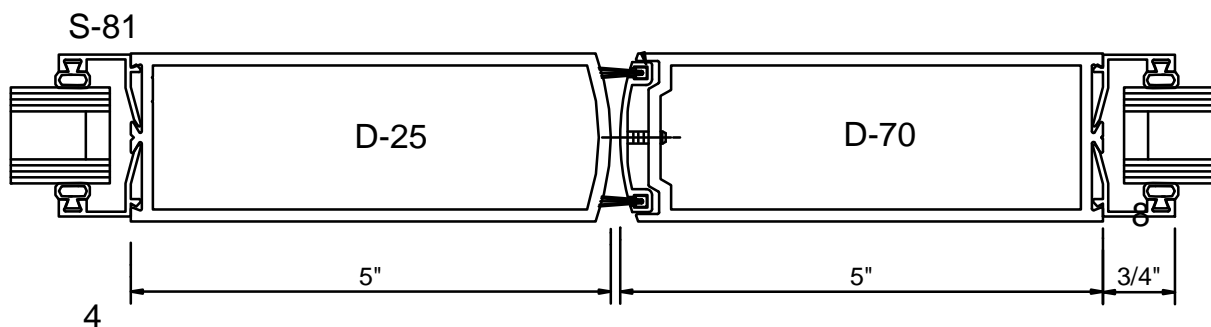
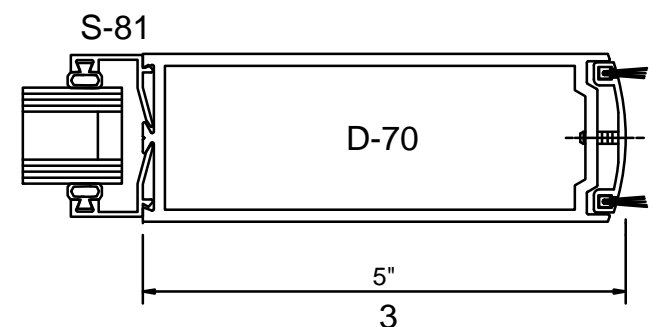
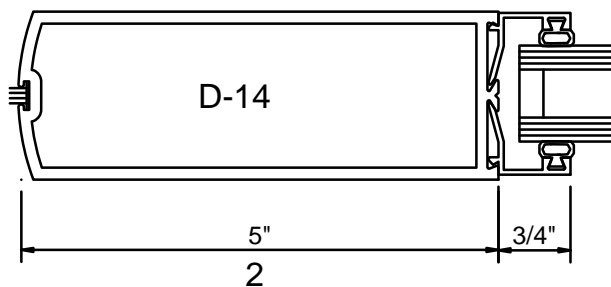
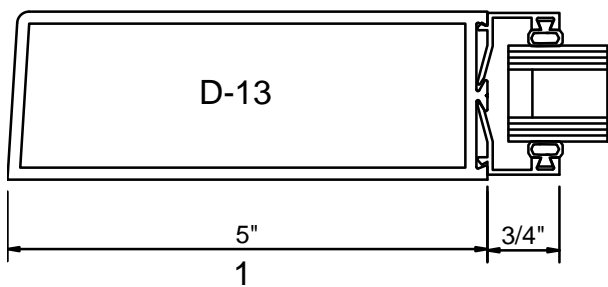
DOUBLE ACTING



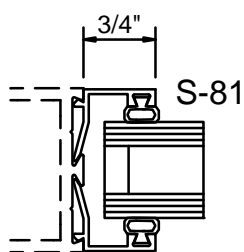
NARROW STILE



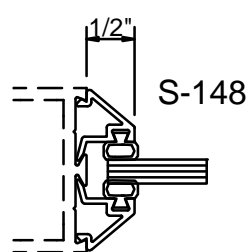
MEDIUM STILE



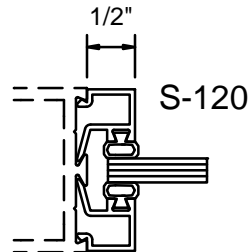
WIDE STILE



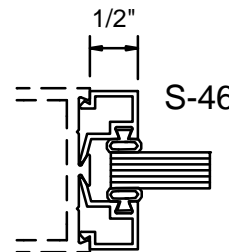
(A)  
1" GLASS  
STANDARD



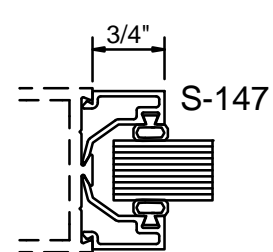
(B)  
1/4" GLASS  
STANDARD



(C)  
1/4" GLASS

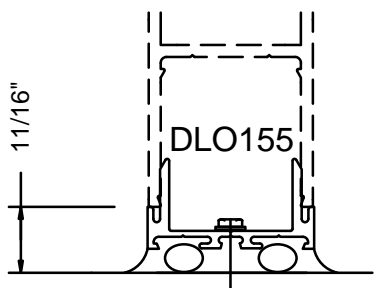
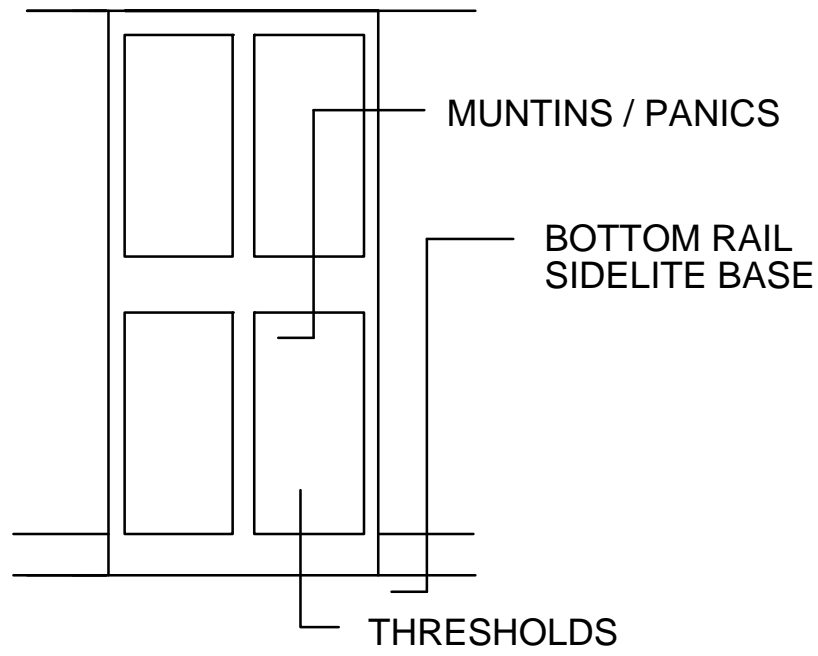


(D)  
3/8" GLASS



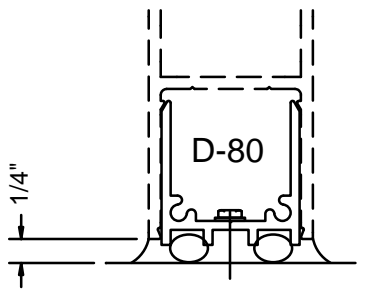
(E)  
5/8" GLASS

# STANDARD DOOR THRESHOLDS-PANICS-MUNTINS



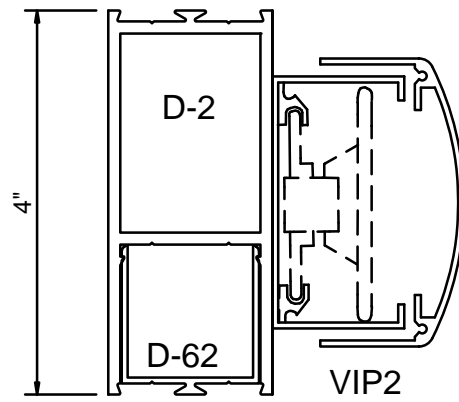
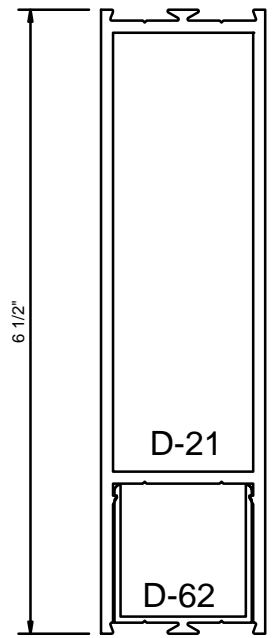
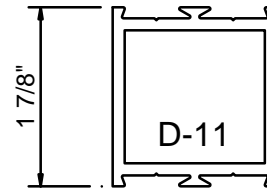
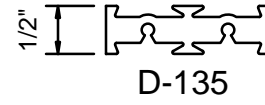
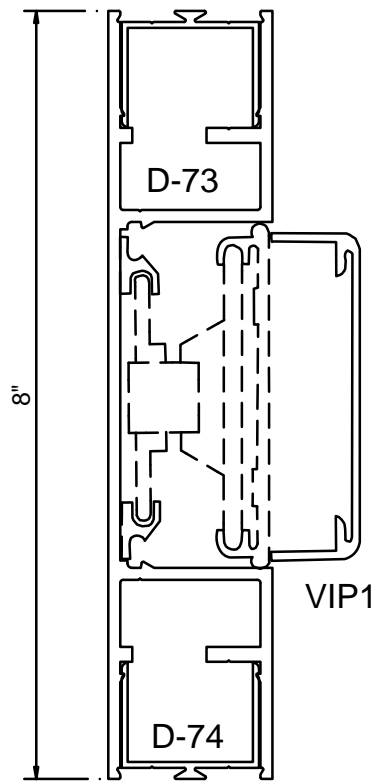
EXTERIOR

BOTTOM RAIL  
SIDELITE BASE

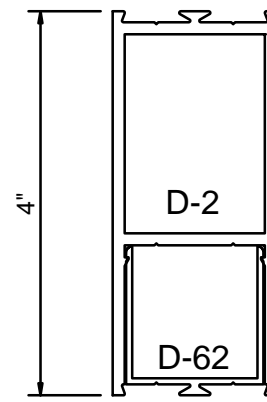


INTERIOR

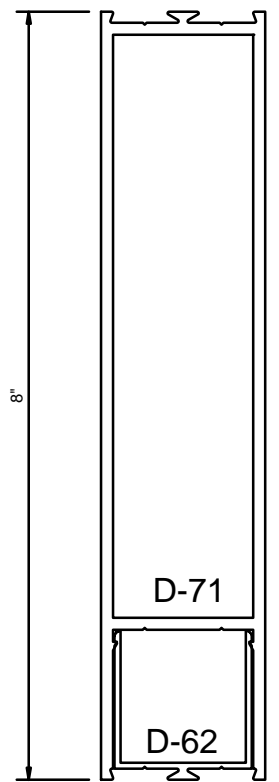
BOTTOM RAIL  
SIDELITE BASE



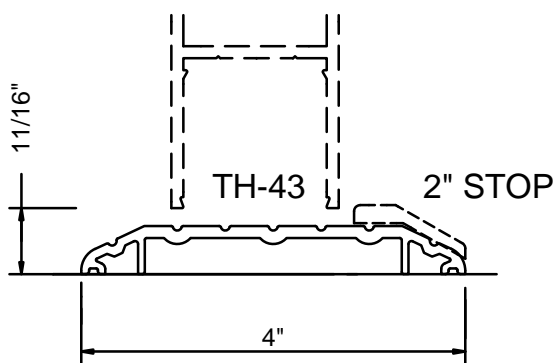
PANICS



MUNTINS

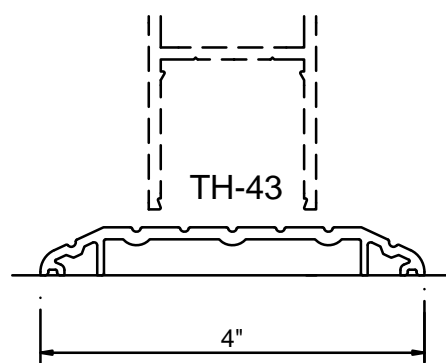


MUNTINS



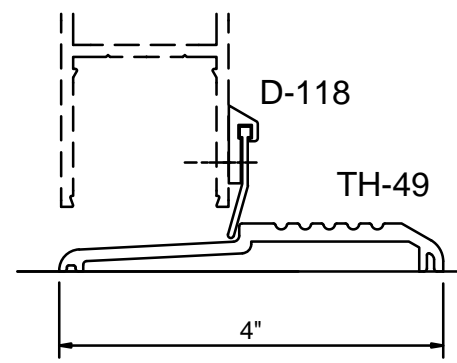
STANDARD THRESHOLD

OFFSET PIVOTS OR BUTT HINGES



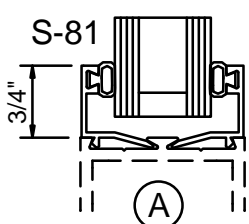
STANDARD THRESHOLD

CENTER PIVOTS

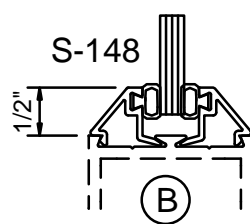


HIGH PERFORMANCE THRESHOLD

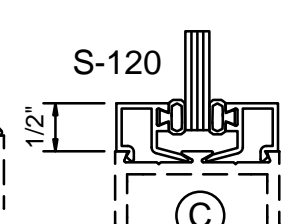
OFFSET PIVOTS OR BUTT HINGES



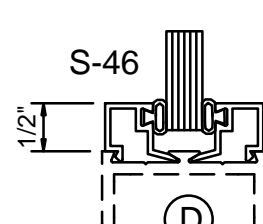
1" GLASS  
Standard



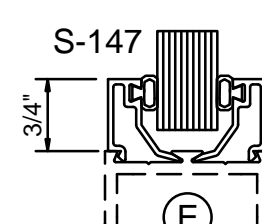
1/4" GLASS  
Standard



1/4" GLASS



3/8" GLASS



5/8" GLASS