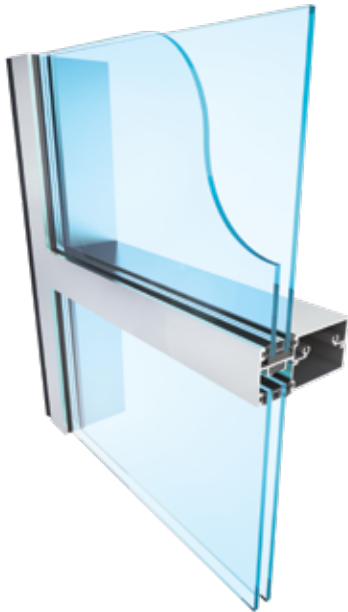


PDR-225 Field Glaze Window Wall by Oldcastle BuildingEnvelope®



The PDR-225 Window Wall from Oldcastle BuildingEnvelope® is a shop assembled field glazed window wall product offered with a variety of 1" infill options. This screw spline assembly has square cut components to reduce fabrication labor. The PDR-225 Window Wall design has an oversized 3/8" pour and debridge thermal break to provide exceptional thermal performance.

One of the most outstanding benefits of PDR-225 Window Wall is the assembly and sealing of the window wall frames under shop controlled conditions. This reduces field labor and minimizes field applied seals.

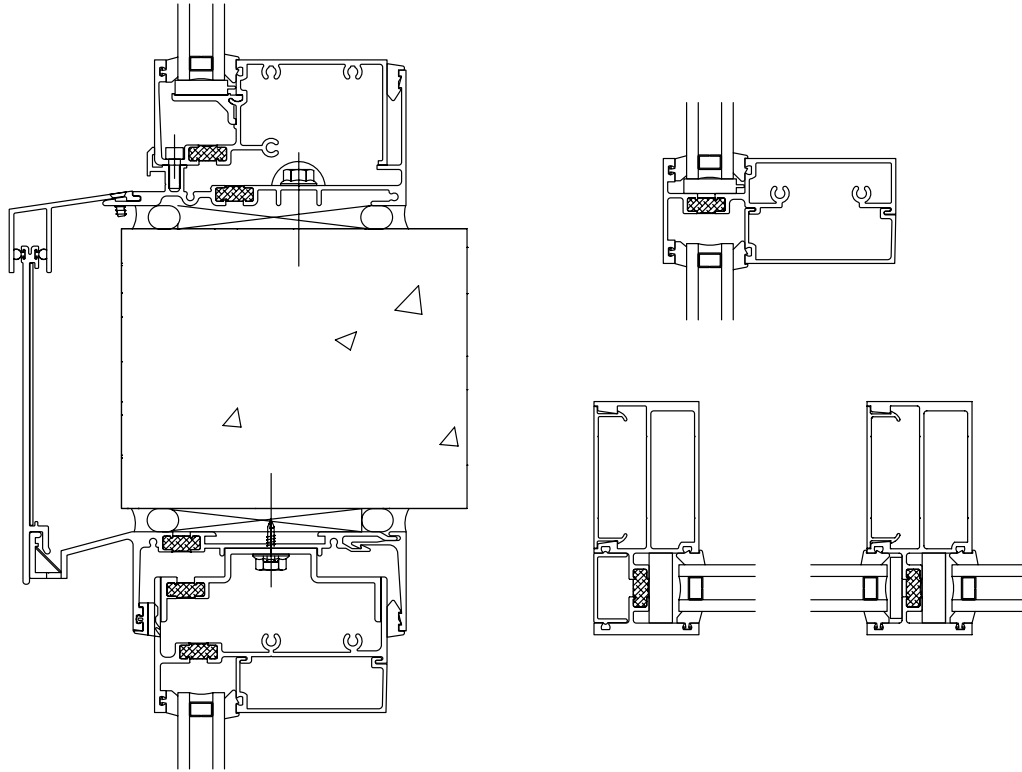
The system is also designed to be installed from inside the building which is easier and eliminates the need for staging equipment during unit installation.

Features

- Overall system dimensions:
2 1/4" (57mm) x 5" (127mm)
- +/-1/2" total allowable vertical movement per floor
- Shop assembled & field glazed
- Head/Sill can with optional integrated floor slab cover.
- Installed from floor slab, staging not required
- Reduced field labor
- Enhanced thermal performance with larger pour and debridge pocket.
- Standardized detailing and components
- Accepts steel reinforcing for various structural requirements
- Accommodates operable vents.
- Factory painted KYNAR 500/HYLAR 5000 finishes, meeting all provisions of AAMA 2605
- Factory anodized finishing



Standard Details



See OBE Website for All Standard Details

Performance

- Air Infiltration: <.06 CFM/sq.ft @ 6.24 PSF per ASTM E283
- Static Water: 12 PSF per ASTM E331
- Dynamic Water: 12 PSF per AAMA 501.1
- Deflection Load: 40 PSF per ASTM E330
- Structural Load: 60 PSF per ASTM E330
- Seismic: Three levels of deflection per AAMA 501.4
- STC per ASTM E90:
39 w/laminated glass
33 w/clear glass
- OITC per ASTM E90:
32 w/laminated glass
28 w/clear glass
- Thermal Performance per AAMA 1503 using Low-E 1" insulating glass:
U-factor: 0.38
CRF Frame: 71
- NFRC Certified & Thermal Performance Characteristics per AAMA 507